

**RYOBI**®



Overhead door closer **RYOBI**  
**D-3200 SERIES**

# Overhead door closer D-3200 SERIES

## Model chart

Size	Without hold-open		Maximum door weight	Maximum door width	
	Without backcheck	Delayed action			
Size3-6	Standard application	D-3200	D-3200DA	60-120kg	950-1400mm
Size3-5					
Size1-4	Track-rail arm application	D-3200T	D-3200DAT	20-80kg	750-1100mm
Size3-5	Parallel arm application	D-3200P	D-3200DAP	60-100kg	950-1250mm

\* : D-3200 univ is a set to handle both standard application and parallel arm application.

**Slim-line body and smooth operation**

**CE EN1154 (inc. CE EN1634 part.1)**

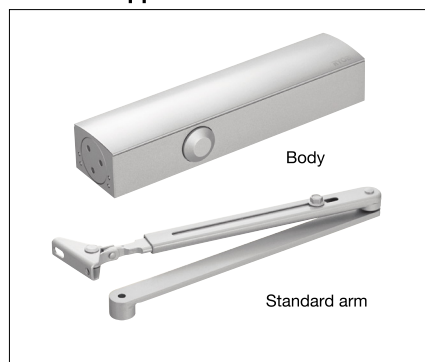
**Standard backcheck and optional delayed action functions**

**Support of door sizes 3 through 6 by closing power adjustment**

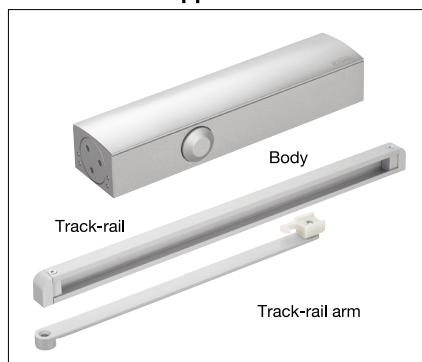
**Non-handed**

**Wide color variation**

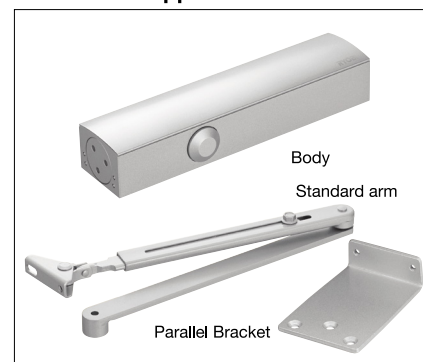
**D-3200**  
Standard application



**D-3200T**  
Track-rail arm application



**D-3200P**  
Parallel arm application



## Color variation

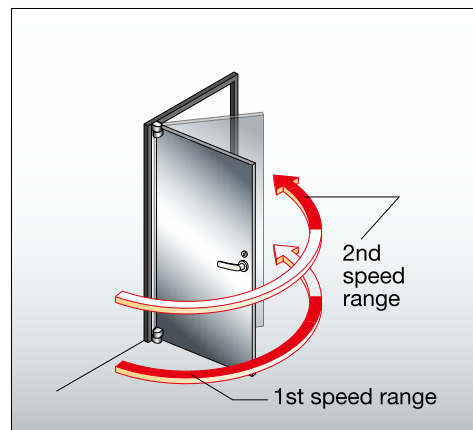
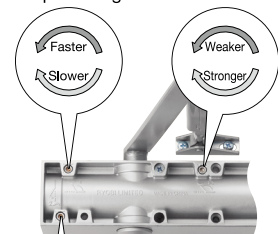


## Specification and adjustment

### Two speed control valves

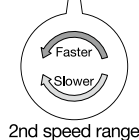
- There are two speed ranges for door closing speed.
- Those ranges are classified into two stages of the 1st speed range which controls overall door closing speed and the 2nd speed range which controls latching speed.
- Those speeds can be adjusted by respectively independent speed adjustment valves.

1st speed range Backcheck function

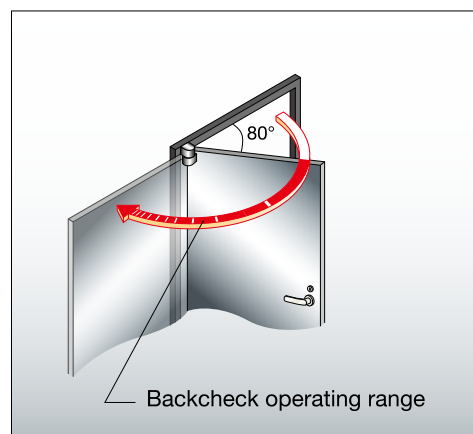


### Backcheck function

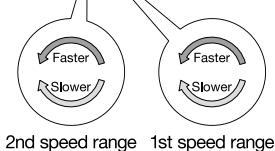
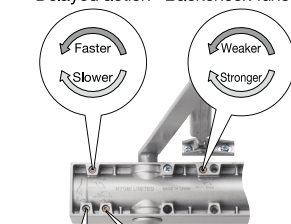
- This function controls sudden door opening by strong wind, etc.
- This function prevents accidents, injuries, and door damage which occur due to a door suddenly opening by a strong wind or rough handling.
- This function works in a range of door opening angles from approx. 80 to 180 degrees.
- The door becomes heavier when it operates, however, this is all by design. The door opens if it is slowly opened.
- When installing the door closer equipped with the backcheck function, sufficiently reinforce hinges and pivots.



2nd speed range



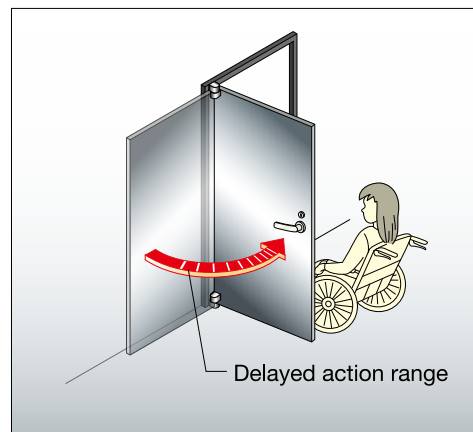
Delayed action Backcheck function



2nd speed range 1st speed range

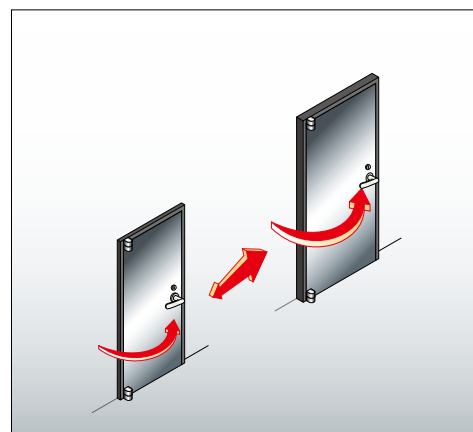
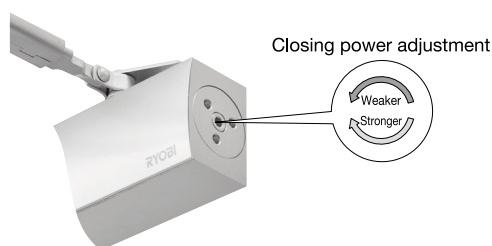
### Delayed action

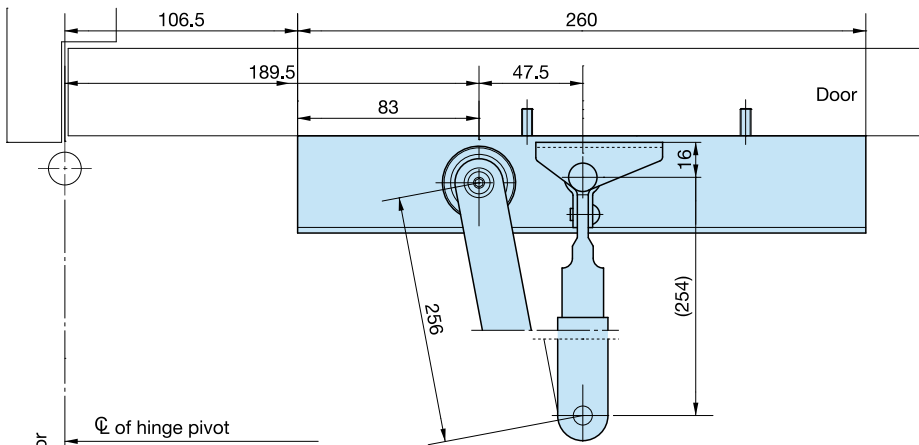
- This function allows additional closing time from a full open angle to approx. 70 degrees.
- Delayed time can be adjusted to vary from seconds to minutes by the delayed action adjustment valve.
- Delayed closing action is an advantage to Nursing staff assisting patients, Domestic staff pushing meals or maintenance trolleys, and the elderly or infirm walking with sticks or frames under supervision.



### Closing power adjustment

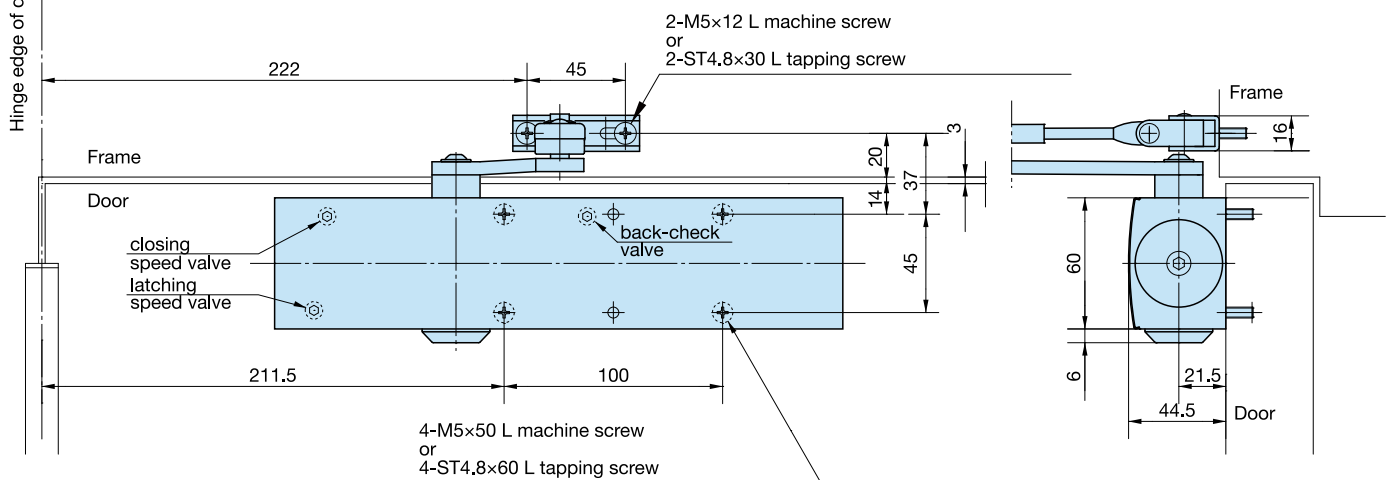
- Spring power adjustable according to door weight and width,
- Factory preset size 3 standard installation.





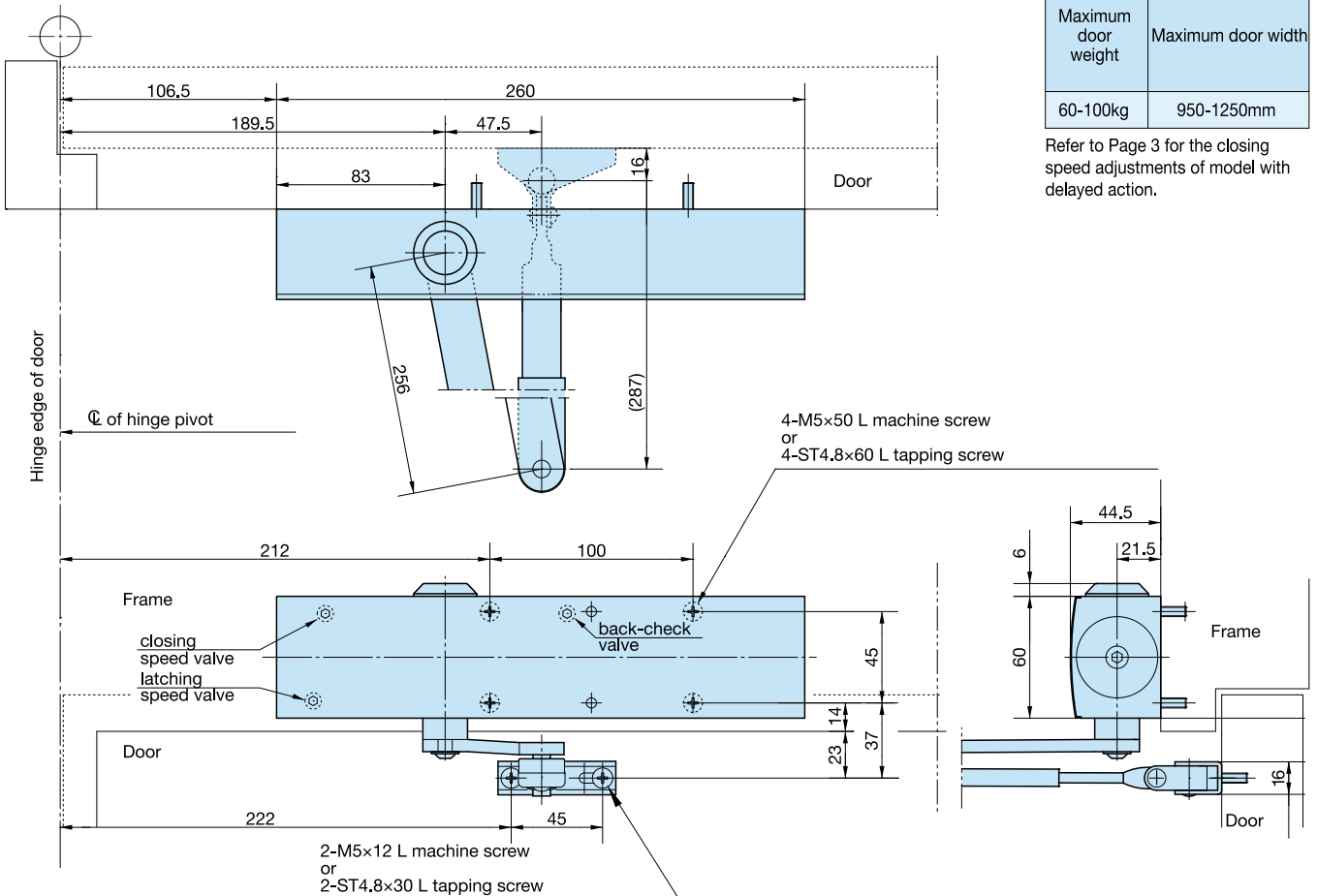
Maximum door weight	Maximum door width
60-120kg	950-1400mm

Refer to Page 3 for the closing speed adjustments of model with delayed action.



## D-3200 Top jamb application

D-3200 / D-3200DA



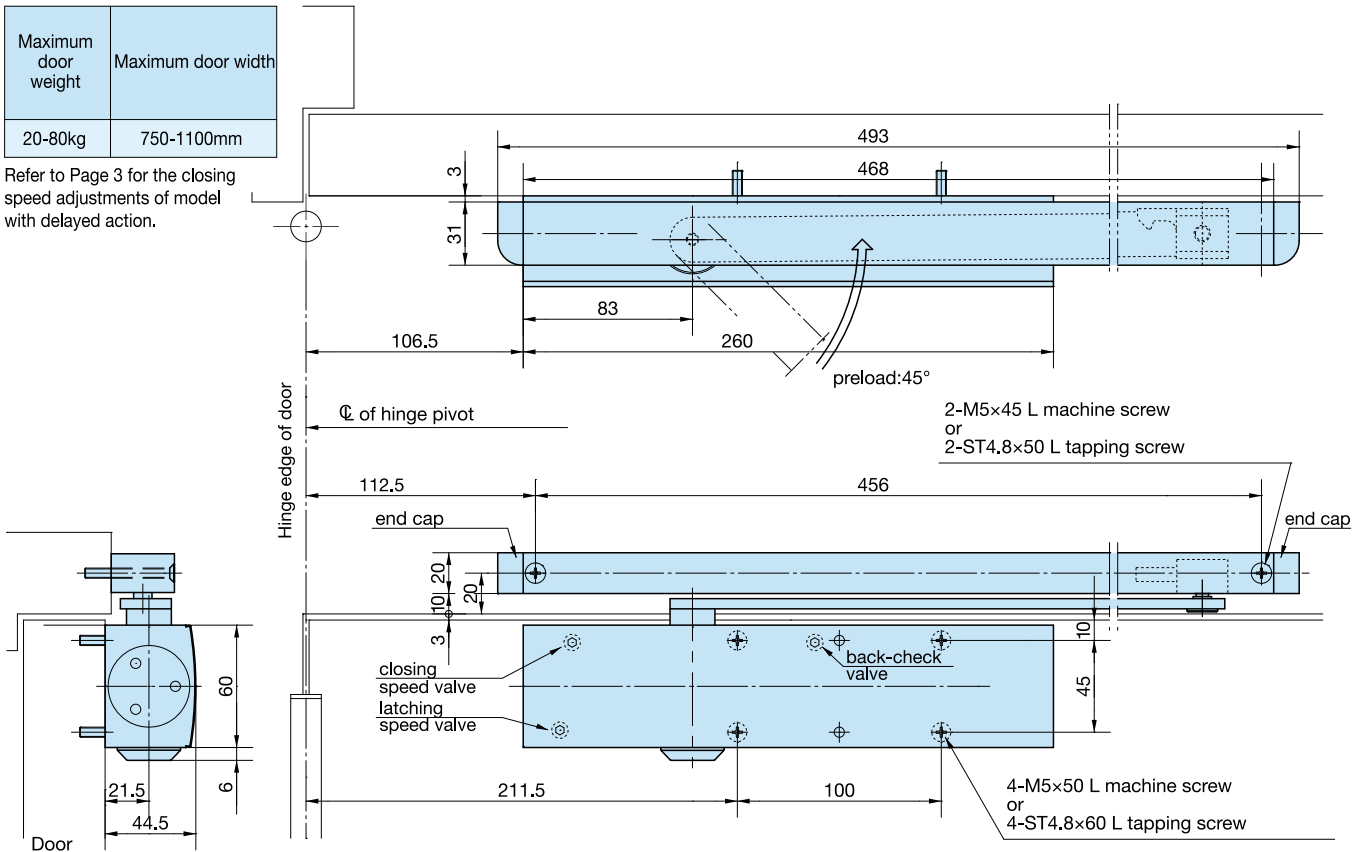
Maximum door weight	Maximum door width
60-100kg	950-1250mm

Refer to Page 3 for the closing speed adjustments of model with delayed action.



Maximum door weight	Maximum door width
20-80kg	750-1100mm

Refer to Page 3 for the closing speed adjustments of model with delayed action.



## D-3200 Parallel arm application

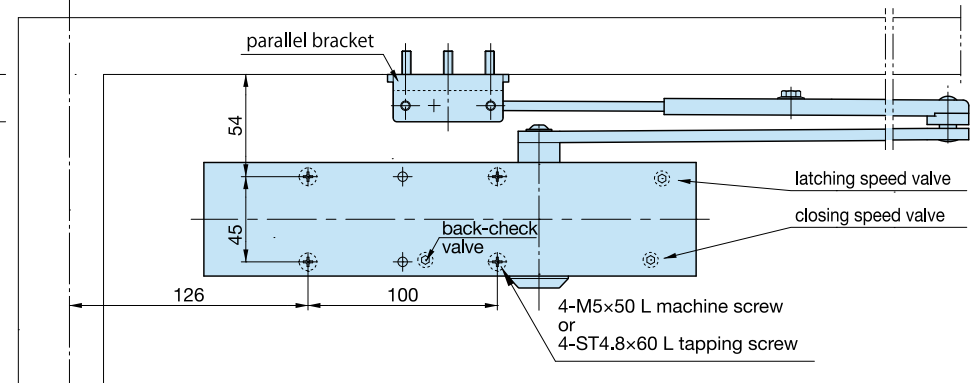
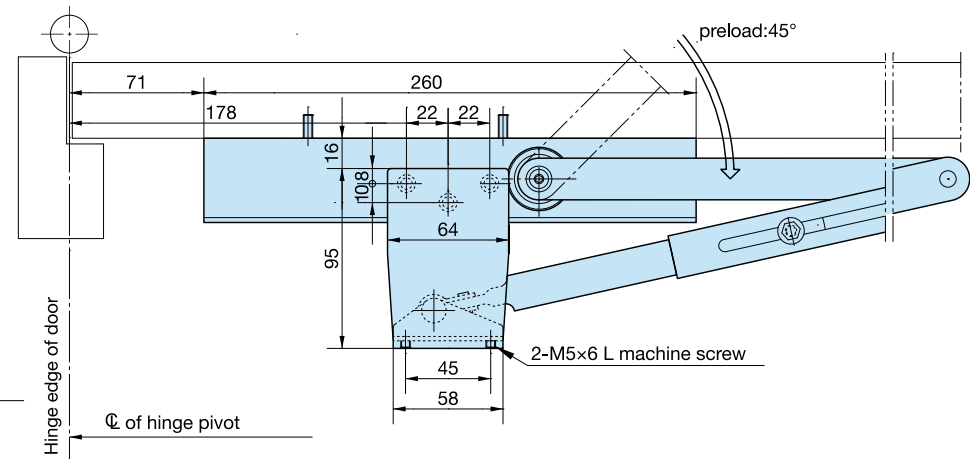
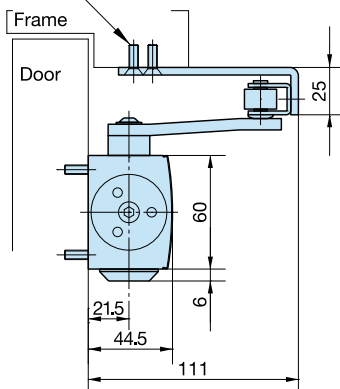
D-3200P / D-3200DAP



Maximum door weight	Maximum door width
60-100kg	950-1250mm

Refer to Page 3 for the closing speed adjustments of model with delayed action.

3-M5×16 L machine screw  
or  
3-ST4.8×30 L tapping screw



**RYOBI LIMITED**

5-2-8 Toshima, Kita-ku Tokyo 114-8518, Japan

Tel. 81-3-3927-5536 Fax. 81-3-3927-5527

RYOBI is a registered trade mark of Ryobi Limited